

G100-19 Stainless Steel Concealed Hinge

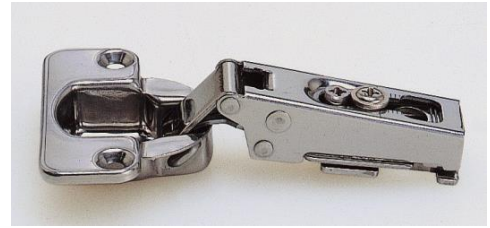
100° opening · 19 mm overlay · Overlay 15 ~ 19 mm
Door thickness 15 ~ 20 mm

Features

- Passed 40,000 life cycle test

Recommended Screws

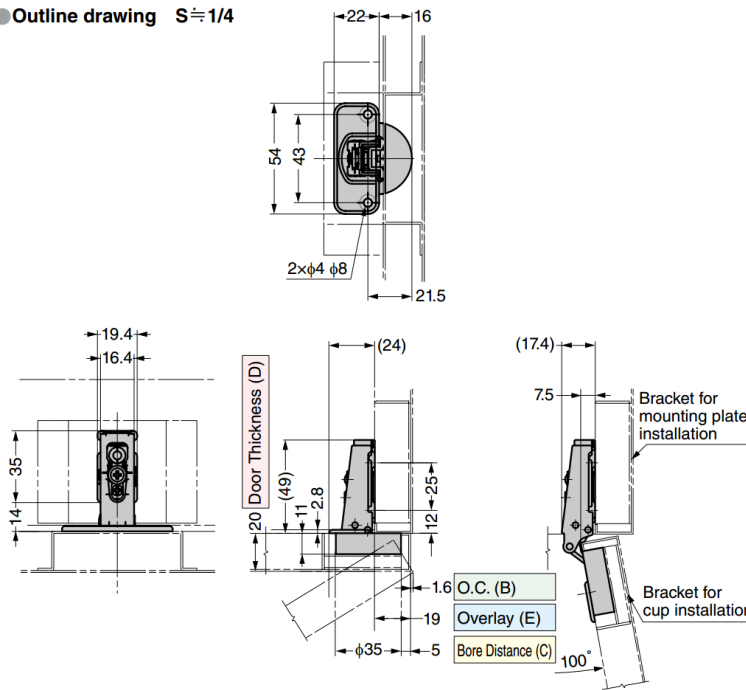
- M4 raised countersunk head screw



Above picture shows concealed hinge + mounting plate (sold separately)

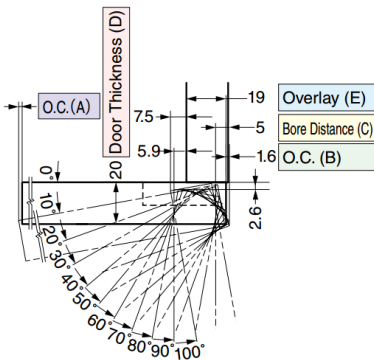
Part No.	Type	Material	Finish
G100-46/19SUS304B	Without Catch	Stainless Steel 304	Polished
G100-C46/19SUS304B	With Catch		

● Outline drawing S ≐ 1/4

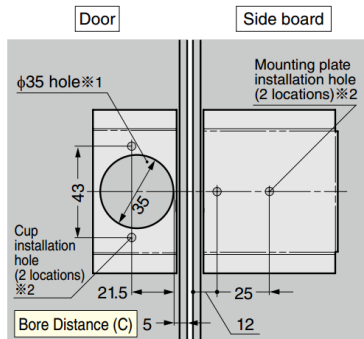


Picture above is the combination of G100-46/19 or G100-C46/19 (w/catch) and mounting plate G100-P3A (sold separately).

● Locus chart S ≐ 1/4



● Cut out dimensions For metal door



- ※1: Support the cup bottom at position of 11mm deep.
- ※2: Internal threads need to be made by welding nut or burring.

[Bore Distance (C)]

Table-1

Bore Distance (C)	3	4	5
Overlay (E)	17	18	19

For standard type shown in the table above mounting plate 0mm thickness.

Turning the overlay adjustment screw or using spacer (2mm thickness) to adjust overlay (Max. -3mm).

[Opening Clearance (O.C.)]

Clearances for door edge O.C. (A) and hinge side O.C. (B) are necessary. O.C. (A) and (B) change depending on door thickness and bore distance (C). Refer to locus chart and tables below when designing cabinets.

[O.C.(B)]

Table-2

Door Thickness (D)	Bore Distance (C)		
	3	4	5
15	0.5	0.5	0.4
16	0.6	0.6	0.6
17	0.9	0.8	0.8
18	1.1	1.1	1.0
19	1.4	1.3	1.3
20	1.7	1.6	1.6
21※	2.1	2.0	1.9
22※	2.5	2.4	2.3
O.C. (B)			

※Please refer to the locus chart if door thickness is over 20mm. (O.C. (B) can be made smaller by R chamfering (round chamfer) and C chamfering (chamfer plane) on the door.

[O.C.(A)]

Table-3

Door Thickness (D)	O.C. (A)			
	Door Width 300	Door Width 400	Door Width 500	Door Width 600
20	0.2	0.1	0.1	0.1

G100-14 Stainless Steel Concealed Hinge

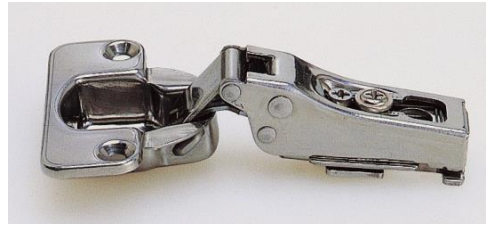
100° opening · 14 mm overlay · Overlay 10 ~ 14 mm
Door thickness 15 ~ 20 mm

Features

- Passed 40,000 life cycle test

Recommended Screws

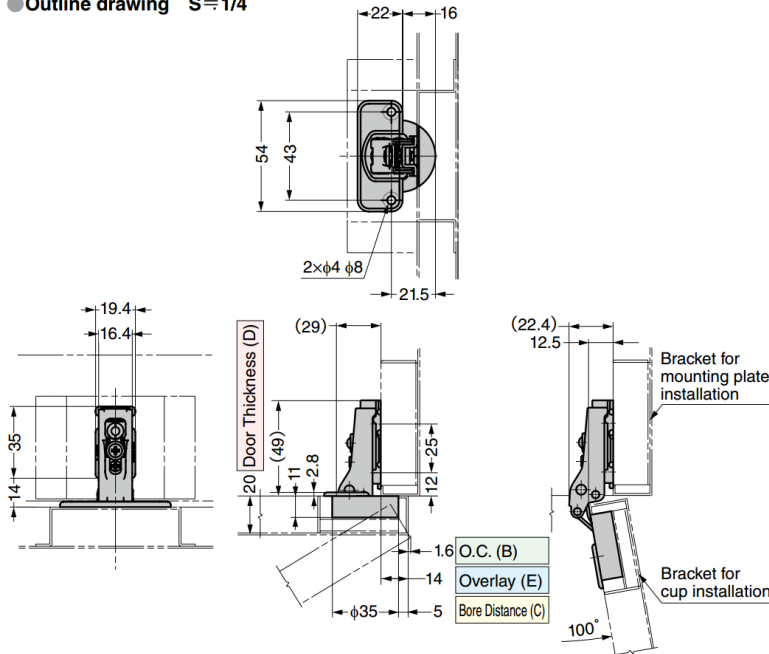
- M4 raised countersunk head screw



Above picture shows concealed hinge + mounting plate (sold separately)

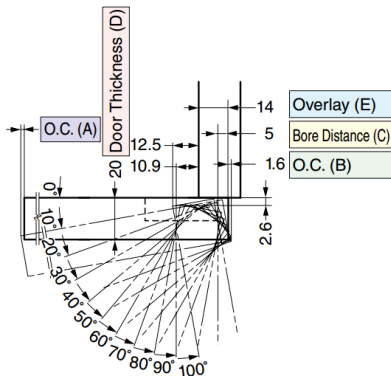
Part No.	Type	Material	Finish
G100-46/14SUS304B	Without Catch	Stainless Steel 304	Polished
G100-C46/14SUS304B	With Catch		

● Outline drawing S ≐ 1/4

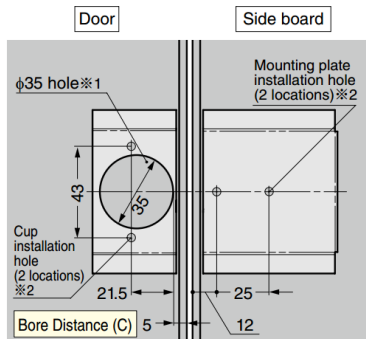


Picture above is the combination of G100-46/14 or G100-C46/14 (w/catch) and mounting plate G100-P3A (sold separately).

● Locus chart S ≐ 1/4



● Cut out dimensions For metal door



- ※1: Support the cup bottom at position of 11mm deep.
- ※2: Internal threads need to be made by welding nut or burring.

[Bore Distance (C)]

Table-1

Bore Distance (C)	3	4	5
Overlay (E)	12	13	14

For standard type shown in the table above mounting plate 0mm thickness.

Turning the overlay adjustment screw or using spacer (2mm thickness) to adjust overlay (Max. -3mm).

[Opening Clearance (O.C.)]

Clearances for door edge O.C. (A) and hinge side O.C. (B) are necessary. O.C. (A) and (B) change depending on door thickness and bore distance (C). Refer to locus chart and tables below when designing cabinets.

[O.C.(B)]

Table-2

Door Thickness (D)	Bore Distance (C)		
	3	4	5
15	0.5	0.5	0.4
16	0.6	0.6	0.6
17	0.9	0.8	0.8
18	1.1	1.1	1.0
19	1.4	1.3	1.3
20	1.7	1.6	1.6
21※	2.1	2.0	1.9
22※	2.5	2.4	2.3
O.C. (B)			

※Please refer to the locus chart if door thickness is over 20mm. (O.C. (B) can be made smaller by R chamfering (round chamfer) and C chamfering (chamfer plane) on the door.)

[O.C.(A)]

Table-3

Door Thickness (D)	O.C. (A)			
	Door Width 300	Door Width 400	Door Width 500	Door Width 600
20	0.2	0.1	0.1	0.1

G100-9 Stainless Steel Concealed Hinge

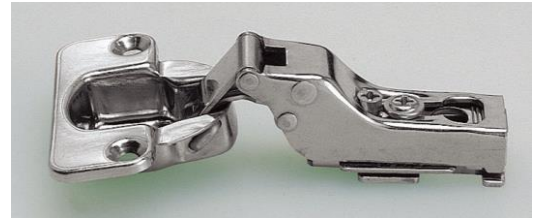
100° opening · 9 mm overlay · Overlay 5 ~ 9 mm
Door thickness 15 ~ 20 mm

Features

- Passed 40,000 life cycle test

Recommended Screws

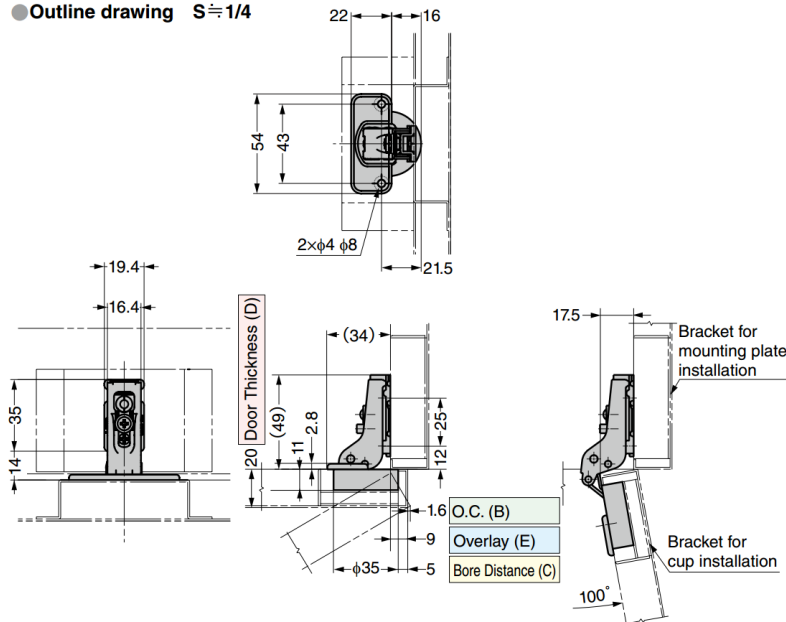
- M4 raised countersunk head screw



Above picture shows concealed hinge + mounting plate (sold separately)

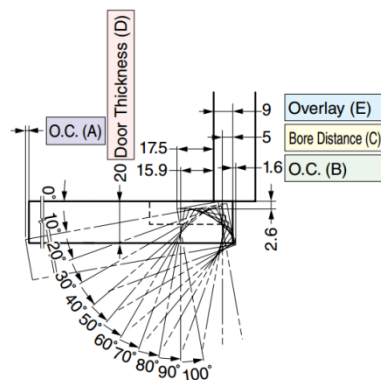
Part No.	Type	Material	Finish
G100-46/9SUS304B	Without Catch	Stainless Steel 304	Polished
G100-C46/9SUS304B	With Catch		

● Outline drawing S ≐ 1/4

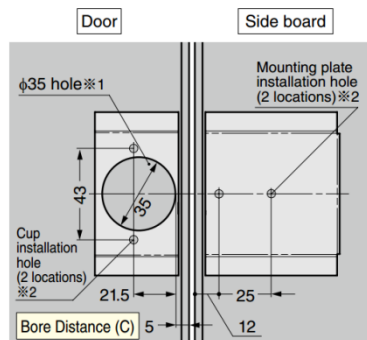


Picture above is the combination of G100-46/9 or G100-C46/9 (w/catch) and mounting plate G100-P3A (sold separately).

● Locus chart S ≐ 1/4



● Cut out dimensions For metal door



- ※1: Support the cup bottom at position of 11mm deep.
- ※2: Internal threads need to be made by welding nut or burring.

[Bore Distance (C)]

Table-1

Bore Distance (C)	3	4	5
Overlay (E)	7	8	9

For standard type shown in the table above mounting plate 0mm thickness.

Turning the overlay adjustment screw or using spacer (2mm thickness) to adjust overlay (Max. -3mm).

[Opening Clearance (O.C.)]

Clearances for door edge O.C. (A) and hinge side O.C. (B) are necessary. O.C. (A) and (B) change depending on door thickness and bore distance (C). Refer to locus chart and tables below when designing cabinets.

[O.C.(B)]

Table-2

Door Thickness (D)	Bore Distance (C)		
	3	4	5
15	0.5	0.5	0.4
16	0.6	0.6	0.6
17	0.9	0.8	0.8
18	1.1	1.1	1.0
19	1.4	1.3	1.3
20	1.7	1.6	1.6
21※	2.1	2.0	1.9
22※	2.5	2.4	2.3
O.C. (B)			

※Please refer to the locus chart if door thickness is over 20mm. (O.C. (B) can be made smaller by R chamfering (round chamfer) and C chamfering (chamfer plane) on the door.)

[O.C.(A)]

Table-3

Door Thickness (D)	O.C. (A)			
	Door Width 300	Door Width 400	Door Width 500	Door Width 600
20	0.2	0.1	0.1	0.1

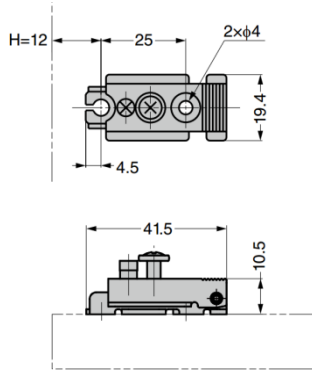
G100-P3A-SUS304B Stainless Steel Mounting Plate

Features

- Overlay adjustable
- Standard height: 0 mm
- Value of H: Door thickness + 17 mm in use of INSET type

Recommended Screws

- M4 binding head screw



Part No.	Material	Finish
G100-P3A-SUS304	Stainless Steel 304	Polished

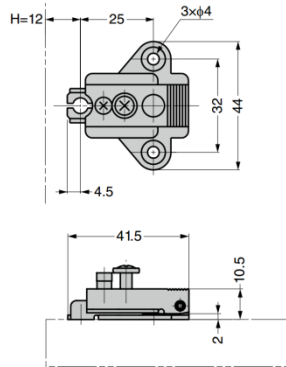
G100-P4A-32-SUS304B Stainless Steel Mounting Plate

Features

- Overlay adjustable
- Standard height: 0 mm
- Value of H: Door thickness + 17 mm in use of INSET type

Recommended Screws

- M4 binding head screw



Part No.	Material	Finish
G100-P4A-32-SUS304	Stainless Steel 304	Polished

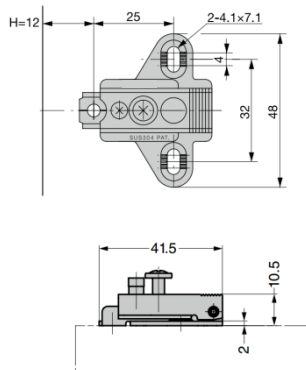
G100-P4A/32-3WAY-SUS304B Stainless Steel Mounting Plate

Features

- Overlay adjustable
- Standard height: 0 mm
- Value of H: Door thickness + 17 mm in use of INSET type

Recommended Screws

- M4 binding head screw



Part No.	Material	Finish
G100-P4A/32-3WAY-SUS304	Stainless Steel 304	Polished